

LED7 / LED 5 OPERATING AND PROGRAMMING INSTRUCTIONS

Push **MODE** to change from item to item. Push **SET** to set desired value or choose option for that item. Pushing **SET** repeatedly causes numbers to increase. Holding **SET** causes numbers to decrease. The symbol \square represents a programmable digit. Default values are shown in [].

ITEM	DISPLAY/OPTIONS	REPRESENTS
1	COIN VALU [\$.25]	The monetary value assigned to a single coin pulse. Adj. from \$0.05 to \$5.00
2	C: $\square\square$ [30]	Time per coin/pulse. Adj. from 0:01 to 9:59.
3	S $\square\square\square$ [008]	Number of coins/pulses to start . Adj. from 1 to 200.
4	AUX VALU CN. $\square\square$ [4]	Auxiliary coin/pulse input pulse multiplier. Adj from 1 to 80.
5	B $\square\square\square$ [9]	Coins/Pulses to bonus. Bonus time is given when this coin/pulse is received.
6	BONUS TIME $\square\square$:## $\square\square\square\square$ [00:00]	Amount of time added for bonus coin/pulse. Adj. from 00:00 to 99:59.
7	[SINGLE BONUS] MULTIPLE BONUS	Bonus time is only added one time when bonus coin pulse is received. Bonus time is added for every coin after bonus coin pulse is received.
8	[DEBIT MODE] CREDIT MODE BOTH	Money counts down as coins are inserted. Money count up as coins are inserted. Money counts up as coins are inserted, plus a prompt of "ADD \$X MORE" if start price is not reached.
9	[DELAYED START] INSTANT START	Two second delay before timing starts after start price is reached. Timing starts as soon as start price is reached.
10	HL $\square\square$ [10]	Length of warning horn is seconds at one minute of time remaining.
11	[PULSED HORN] CONTINUOUS HORN	Horn output will pulse for amount of time set in HL: $\square\square$ Horn output will stay on continuously for entire last minute.
12	[RESTART OFF] RESTART ON	Restart feature turned off. Full price required after time expires. Timer may be restarted with one coin for 20 seconds after time expires.
13	[STD] USER MIX RTRO	Standard greeting message is displayed. User programmed custom greeting message is displayed. Standard message then custom message is displayed. Price to start is displayed. No scrolling message.
14	M \square : $\square\square$ [5:00]	Length of washdown cycle using remote control. Adj. from 0:00 to 9:59.
15	$\square\square\square\square$ [1 2 3 4]	Adjustable remote access code.
16	CC PULSE VALUE \$ \square : $\square\square$ [\$.25]	Monetary value assigned to credit card pulse received on pin #8 during count up.
17	[ENG] SPH E & S	Standard message and prompt is displayed in English. Standard message and prompt is displayed in Spanish. Standard message and prompt is displayed in English then displayed in Spanish.
18	EXIT	Timer returns to standby.

Inventory

Timer keeps a running count of coins deposited, auxiliary pulses and manual cycles.

To show inventory press **SET**. timer will display COINS XXXX (Number of coin pulses since last cleared), AUX XXXX (Number of pulses on auxiliary input) then MANUAL XXXX (Number of washdown cycles used since last cleared).

To clear inventory: Press **SET** to display inventory. Press and hold **MODE** until display reads "CLR?". Release **MODE**. Press and hold **MODE** again until timer reads "DONE".

Bonus Time Settings

Amount of time set in bonus time is added to time remaining on timer when bonus coin/pulse is received.

Bonus is disabled by setting bonus time to 00:00.

If "SINGLE BONUS" is selected, bonus time is only added once, when bonus coin/pulse is received. Any coins deposited after that bonus coin will receive the regular time per coin.

If "MULTIPLE BONUS" is selected, every coin deposited after bonus coin/pulse is reached will receive amount of time set in "BONUS TIME".

Debit/Credit Mode:

Debit Mode: As coins are deposited display shows "\$1.75 MORE, \$1.50 MORE, \$1.25 MORE" etc. until start price is reached. Once start price is reached display switches to time accumulating until no more coins have been deposited.

Credit Mode: As coins are deposited display shows money accumulating (\$.25, \$.50, \$.75 etc.). If timer is also set to Delayed Start Mode timer will continue to show money accumulating until no more coins have been deposited. If timer is set to Instant Start mode, as soon as start price is reached, timer will change to time counting down.

Both Mode: As coins are deposited display shows money accumulating (\$.25, \$.50, \$.75 etc). If start price is not reached, after 5 seconds timer will alternate between "ADD \$X.XX MORE" and amount of money already deposited.

Credit Card Input:

Count up mode: No pre-set amount is charged to card. Timer will count up and run until terminated by credit card system.

For count up: Close pin #8 (input) to 24 VAC common for more than 400ms. Timer will continue to count up until closure is released for more than 400ms.

To have timer display amount charged to card at end of cycle: Close input as above. Open input for less than 400ms and re-close at intervals determined by pulse value set in "CC PULSE VALUE" (For example: if time per coin is set at 30 sec and "CC Pulse Value" is set at \$.25, open and close input every 30 seconds. If time per coin is set at 30 sec and "CC Pulse Value" is set at \$.05, open and close input every 6 seconds.)

Pre-pay mode: A pre-determined amount is charged to credit card each time card is swiped and credit card system sends pulses to input.

Pulses between 16ms and 200ms will register on timer like coin pulses.

A pulse between 200ms and 400ms will cause timer to display "VERIFYING CARD". Should a second pulse of 200ms to 400ms be received on input timer will display "TRY DIFFERENT CARD".

Minimum time between pulses is 16ms.

Note: Not all credit card systems can utilize all modes of operation. Contact your credit card system manufacturer for more information on what your system can do.

Messages

Standard greeting message (English): "PLEASE DEPOSIT \$2.00 TO START".

Standard greeting message (Spanish): "POR FAVOR DEPOSITO \$2.00 PARA EMPEZAR"

Standard exit message (English): "THANK YOU"

Standard exit message (Spanish): "GRACIAS"

Custom Message Programming:

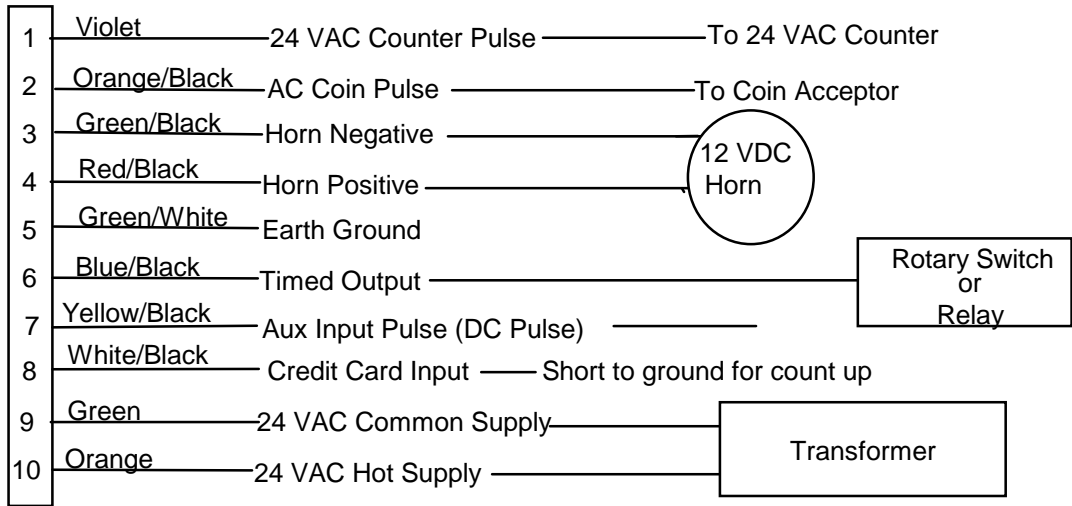
A custom message can be programmed up to 64 characters (a space counts as a character).

To program a custom message: Push **MODE** until STD appears on display. Push **SET** until USER appears on display. Push and hold **MODE** until "I" appears on right side of display. Push **SET** until first letter of your custom message appears on right side of display. Push **MODE**. The first letter of your message will move over one position to the left and an "A" will appear on the far right. Push **SET** until the second letter of your message appears on the right. Continue in this fashion until your message is complete. (Push **MODE** to advance to the next space in your message, push **SET** to display the letter or character you need. The character you are programming will always be the far right digit.) At the end of your message you MUST put a "/" to indicate the end of the message. Once your message is complete, push and hold **MODE** until USER appears on the display. Push **MODE** until EXIT appears. Message programming is now complete.

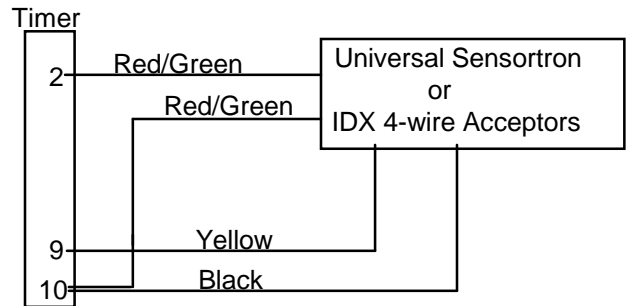
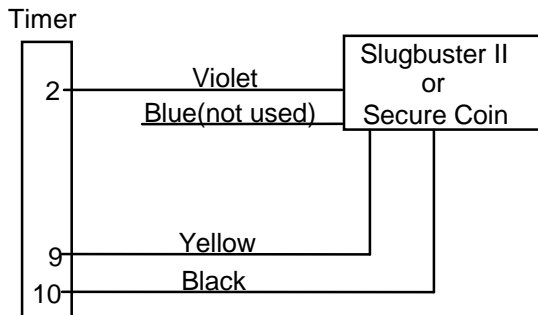
Count Up Message:

During count up mode an operator programmable message of up to 31 characters can be displayed every five seconds. To program message push and hold **MODE** when timer is displaying "CC PULSE VALUE" until "/" appears on display, then proceed as above, use **SET** to set letter or character required then press **MODE** to advance to next space. When message is complete, hold **MODE** until timer shows "DONE".

LED5 WIRING



COIN ACCEPTOR WIRING



DIXMOR ENTERPRISES
 5755 S. GALLUP ST
 LITTLETON, CO 80120
 303-794-1387 FAX 303-794-0597